

Model No : V D Series

Portable Dew Point Meter

**Relative humidity, Temperature,
Moisture in PPM and Dew point
Measurement with one
Instrument**



Portable Dew Point Meter

Portable Dew Point Meter is designed to measure the performance of drying systems for air, nitrogen and other compressed gases. This Model is ideal for monitoring medical, commercial and industrial applications including plastics resin dryers, breathing air, pneumatic tools, instrument air, and spraying/coating applications. You can use this instrument continuously up to 90 hours without low battery indication.

It measures dew point by utilizing microprocessor circuitry to convert sensor signal by the use of psychometric equations. Assembled in a rugged hand held IP- 65 protected plastic enclosure and equipped with quick disconnect tubing couplings and an internal sensor manifold. An orifice maintains line pressure for true pressure dew point readings.

Applications

- Petrochemicals
- Utilities SF6 etc.
- Compressed Air
- Medical
- Nitrogen gas at the time of filling in the Transformers
- Transportation
- Aerospace
- Semiconductor
- Heat Treating
- Natural Gas
- Industrial Driers
- Pharmaceuticals
- Alternative fuels
- Military
- Environmental
- Ozone Generation
- Freeze Drying

Services by Vasthi: -

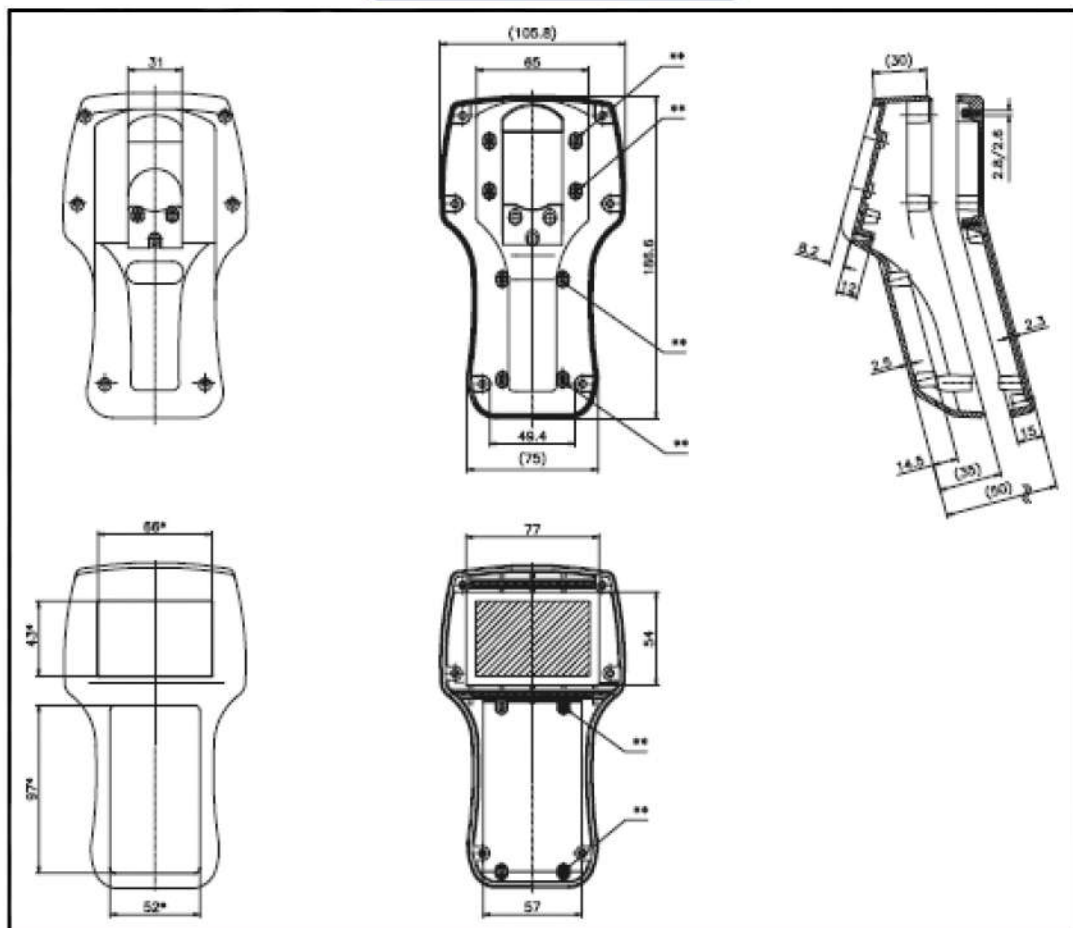
- Evaluation
- Custom Designs
- Calibration & Certification
- Repair
- Plant visiting
- Sampling Systems

Portable Dew Point Meter

Special Features of Vasthi Dew Point meters: -

- Microprocessor based portable battery operated instrument.
- Digital Graphical Display Measuring range -100 to $+30^{\circ}$ C dew point & other ranges also available on client requirement.
- Samples compressed air up to 12 Kg/cm.
- Pressure and up to 95° C temperature can measure directly.
- Quick disconnect fitting, desiccant test.
- Handy and light weight.
- Inbuilt thin film water vapor sensor.
- Optional RS - 232 computer interface & data logger.

GA DRAWING



Portable Dew Point Meter

Relative Humidity

Temperature

Moisture

Dew Point



Portable Dew Point Meter



Portable Dew Point Meter

Specifications

Sensor Principle	: Capacitive Thin Film Polymer
Dew Point Range	: As User Requirement
Relative Humidity	: 0.01 to 99.99 %RH
Temp.	: 0.01 to 99.99 ° C
Moisture	: 0 to 23000 PPM
Accuracy	: +/-1 °C for 0 to +30 °C : +/-1.5 °C for 0 to -40 °C : +/-2 °C for -40 to -80 °C
Maximum Sample Temp	: 90 °C (For higher temperature use, Optional cooling coil is available)
Maximum Pressure	: 12kg/cm ²
Response Time	: 10 Seconds for 63% step change
Display	: 128 X 64 Pixels Graphical LCD
Power	: Single cell lithium ion Battery with In-built charge control
Inlet Sample Port	: 1/4" OD Tubing
Weight	: 445 grams (approx.)
Dimensions	: Refer to GA Drawing
Degree of Protection	: IP - 65

ADDITIONAL FEATURES (OPTIONAL)

Computer Interface: RS-232
Data Logger: 1 Megabyte, Non-Volatile Memory
In- built Pump: For Auto Suction

ORDERING INFORMATION

-60 to +30 Range	Model - VD62 - H2
-80 to +30 Range	Model - VD82 - H2
-100 to +30 Range	Model - VD92 - H2

**VASTHI INSTRUMENTS**

Plot no: 21 & 22 , Block no: 24, Phase - IV ,
Auto Nagar, Guntur - 522 001, Andhra Pradesh,Inda.

Tel : +91 863 2238 667, +91 738 2708 685, +91 958 1678 685

web: www.vasthi.com,

E: info@vasthi.com, sales@vasthi.com